

**Addendum No. 2**

**Issued: February 21, 2025**

Project Name: Council Rock School District  
HS North and Holland Middle School Wood Gym Floor Replacement  
CHA Project No. 099734

Project Owner: Council Rock School District  
30 North Chancellor Street  
Newtown, PA 18940

Engineer: CHA Consulting  
One East Broad St., Suite 310  
Bethlehem, PA 18018

**BID DUE DATE: Wednesday, February 26, 2025, at 2:00 p.m.**

*This Addendum forms a part of the Contract Documents and modifies the original Bidding Documents dated **February 2024**. This addendum must be acknowledged on the Bid Form in the space provided for this purpose. Failure to so acknowledge this addendum may subject the Bidder to disqualification.*

**1.0 GENERAL INFORMATION:**

1.1 **ALL BIDDERS are informed that only Addenda issued directly by CHA are a valid part of the Contract Documents. Addenda issued by other parties are invalid and should be disregarded.**

1.2 This addendum consists of 8 pages including the following attachments:

- 2 Pages of revised and reissued Specification Section 000110, "Table of Contents".
- 1 Page of revised and reissued Drawing G-1, "Holland Middle School - Partial Floor Plan".
- 1 Page of revised and reissued Drawing G-2, "High School North - Partial Floor Plan".
- 1 Page of newly issued JPG design, "CRHS North Center Court" Logo
- 1 Page of newly issued PDF design, "Holland Middle School Center Court" Logo

**2.0 CHANGES TO PREVIOUS ADDENDA:**

2.1 None.

**3.0 CHANGES TO THE BIDDING REQUIREMENTS, CONTRACT FORMS, & CONDITIONS OF THE CONTRACT:**

3.1 None.

**4.0 CHANGES TO THE SPECIFICATIONS:**

4.1 None.

**5.0 CHANGES TO THE DRAWINGS:**

5.1 Drawing G-1, “Holland Middle School - Partial Floor Plan”, **DELETE** in its entirety and **REPLACE** with the revised and reissued Drawing G-1, “Holland Middle School - Partial Floor Plan” issued as a part of this Addendum No. 2. Note the following:

- Newly issued PDF file for “Holland Middle School Center Court Logo” is attached for reference purposes. The logo is copy righted to the Council Rock School District.

5.2 Drawing G-2, “High School North - Partial Floor Plan”, **DELETE** in its entirety and **REPLACE** with the revised and reissued Drawing G-2, “High School North - Partial Floor Plan” issued as a part of this Addendum No. 2. Note the following:

- Newly issued JPG file for “CRHS North Center Court Logo” is attached for reference purposes. The logo is copy righted to the Council Rock School District.

**6.0 BIDDERS QUESTIONS:**

6.1 None.

**NOTE:**

- **ALL BIDDERS MUST indicate receipt of this Addendum on Page 1 of the Bid Form.**
- **No other acknowledgment is needed or requested to be returned as the receipt of Addenda is tracked through the Sharefile service Addenda are issued through.**

V:\Projects\BPA132\Proj1\006-299 - Schools\283 - Council Rock SD\99734 - CRSD HS North & Holland MS Gym Floor Replace\Addenda\Addenda No. 2\25.02.19\_Addendum No. 2\_99734\_Draft.docx

COUNCIL ROCK SCHOOL DISTRICT  
HIGH SCHOOL NORTH & HOLLAND MIDDLE SCHOOL  
WOOD GYM FLOOR REPLACEMENT

TABLE OF CONTENTS

DIVISION 00 - BIDDING & CONTRACTING REQUIREMENTS

001113 Advertisement for Bids .....

001153 Request for Qualifications .....

001154 Agreement of Surety .....

001155 Letter of Insurer.....

002113 Instructions to Bidders .....

002113-ITB-A Act 141: Public Works Employment Verification Form.....

002113-ITB-B Act 114: FBI Fingerprint Service Codes .....

002113-ITB-C Act 34: Pennsylvania State Police Clearance Form .....

002113-ITB-D Act 24/Act 82: PDE Form 6004 .....

002113-ITB-E Act 151: Child Abuse Clearance Form.....

002113-ITB-F Act 168: PA Sexual Misconduct-Abuse Disclosure Release .....

002625 Substitution Request Form.....

003132 *Geotechnical Data (Newly Added Addendum No. 1 – February 12, 2025) .....*

003132A *Asbestos Bulk Sampling for the Holland Middle School - Gymnasium prepared by Element Environmental Solutions on January 28, 2025 (Newly Added Addendum No. 1 – February 12, 2025)*

003132B *Asbestos Bulk Sampling for the Council Rock High School – North (Gymnasium) prepared by Element Environmental Solutions on January 28, 2025 (Newly Added Addendum No. 1 – February 12, 2025)*

004113 Bid Form .....

004313 Bid Security Form .....

004519 Non-Collusion Affidavit .....

005213 Modified Standard Form of Agreement .....

006113.00 Bond Forms.....

006113.13 Performance Bond.....

006113.16 Payment Bond.....

006216 Sample Certificate of Insurance.....

007216 Standard General Conditions of the Contract.....

007300 Supplementary Conditions.....

007343 Prevailing Wage Rate Requirements .....

007346.13 Prevailing Wage Determination Schedule.....

007346.16 Certified Payroll Sample Form – PA Department of Labor & Industry Form LLC-25 .....

008200 Safety and Health Management Plan.....

DIVISION 01 – GENERAL REQUIREMENTS

011000 *Summary (Revised Addendum No. 1 – February 12, 2025).....*

012100 Allowances.....

012200 Unit Prices .....

012300 Alternates .....

012600 Contract Modification Procedures .....

012900 Payment Procedures.....

013100 Project Management and Coordination .....

013200 Construction Progress Documentation .....

013300 Submittal Procedures .....

014000 Quality Requirements .....

014200 References.....

**REVISED AND REISSUED ADDENDUM NO. 2 – FEBRUARY 21, 2025**

COUNCIL ROCK SCHOOL DISTRICT  
HIGH SCHOOL NORTH & HOLLAND MIDDLE SCHOOL  
WOOD GYM FLOOR REPLACEMENT

015000	Temporary Facilities and Controls.....
016000	Product Requirements.....
017300	Execution.....
017329	Cutting and Patching.....
017700	Closeout Procedures.....
017823	Operation and Maintenance Data .....
017839	Project Record Documents .....

DIVISION 03 – CONCRETE

035416	Hydraulic Cement Underlayment.....
--------	------------------------------------

DIVISION 07 – THERMAL MOISTURE AND PROTECTION

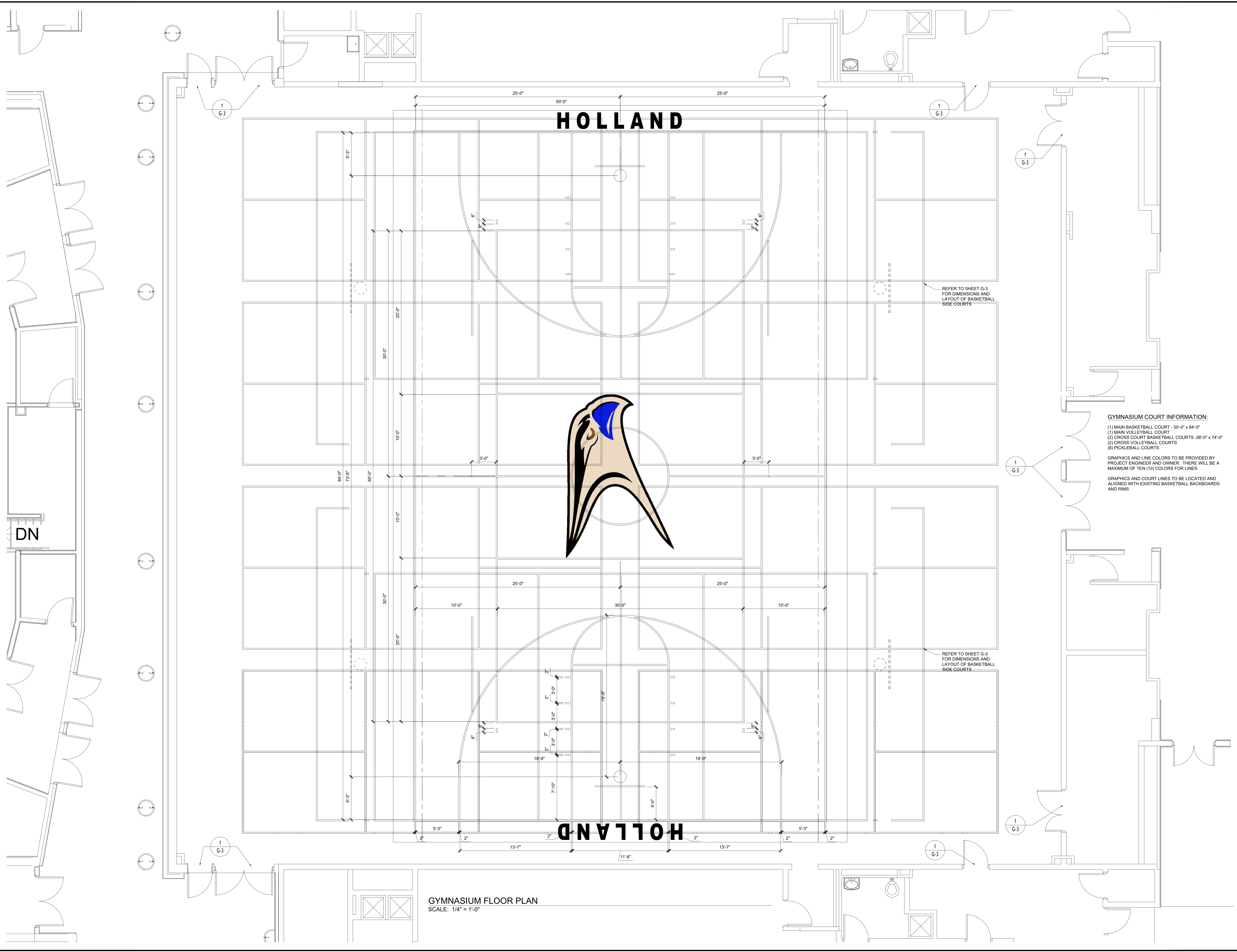
079200	Joint Sealants.....
--------	---------------------

DIVISION 09 – FINISHES

096466	Wood Athletic Flooring .....
099123	Interior Painting.....

DRAWINGS

CS-1	Cover Sheet, Location Map, List of Drawings.....
<b>G-1</b>	<b><i>Holland ES Partial Floor Plan (Revised and Reissued Addendum No. 2 – February 21, 2025).....</i></b>
<b>G-2</b>	<b><i>High School North Partial Floor Plan (Revised and Reissued Addendum No. 2 – February 21, 2025).....</i></b>
G-3	General Notes & Details .....



REFER TO SHEET G-3 FOR DIMENSIONS AND LAYOUT OF BASKETBALL SIDE COURTS

REFER TO SHEET G-3 FOR DIMENSIONS AND LAYOUT OF BASKETBALL SIDE COURTS

**GYMNASIUM COURT INFORMATION:**

- (1) MAIN BASKETBALL COURT - 50'-0" x 84'-0"
- (1) MAIN VOLLEYBALL COURT
- (2) CROSS COURT BASKETBALL COURTS - 38'-0" x 74'-0"
- (8) PICKLEBALL COURTS

GRAPHICS AND LINE COLORS TO BE PROVIDED BY PROJECT ENGINEER AND OWNER. THERE WILL BE A MAXIMUM OF TEN (10) COLORS FOR LINES.

GRAPHICS AND COURT LINES TO BE LOCATED AND ALIGNED WITH EXISTING BASKETBALL BACKBOARDS AND RIMS

**NOT FOR CONSTRUCTION**

IT IS A VIOLATION OF LAW FOR ANY PERSON, UNLESS THEY ARE AUTHORIZED BY THE DESIGNER, TO REPRODUCE OR TRANSMIT THIS DOCUMENT IN ANY MANNER. ANY REPRODUCTION OR TRANSMISSION OF THIS DOCUMENT WITHOUT THE WRITTEN PERMISSION OF THE DESIGNER IS PROHIBITED. THE DESIGNER ASSUMES NO LIABILITY FOR ANY DAMAGE, INCLUDING CONSEQUENTIAL DAMAGES, ARISING FROM THE USE OF THIS DOCUMENT. THE USER SHALL BE RESPONSIBLE FOR OBTAINING ALL NECESSARY PERMITS AND APPROVALS FROM THE APPROPRIATE AGENCIES AND AUTHORITIES. THE DESIGNER'S LIABILITY IS LIMITED TO THE DESIGN SERVICES PROVIDED HEREIN AND DOES NOT INCLUDE THE CONSTRUCTION OF THE PROJECT OR THE PERFORMANCE OF THE PROJECT.

COUNCIL ROCK SCHOOL DISTRICT  
 WOOD GYMNASIUM FLOOR REPLACEMENT AT COUNCIL ROCK HIGH SCHOOL NORTH AND HOLLAND MIDDLE SCHOOL

Submittal / Revision	Appr	By	Date
ADDENDUM #2			02/21/25

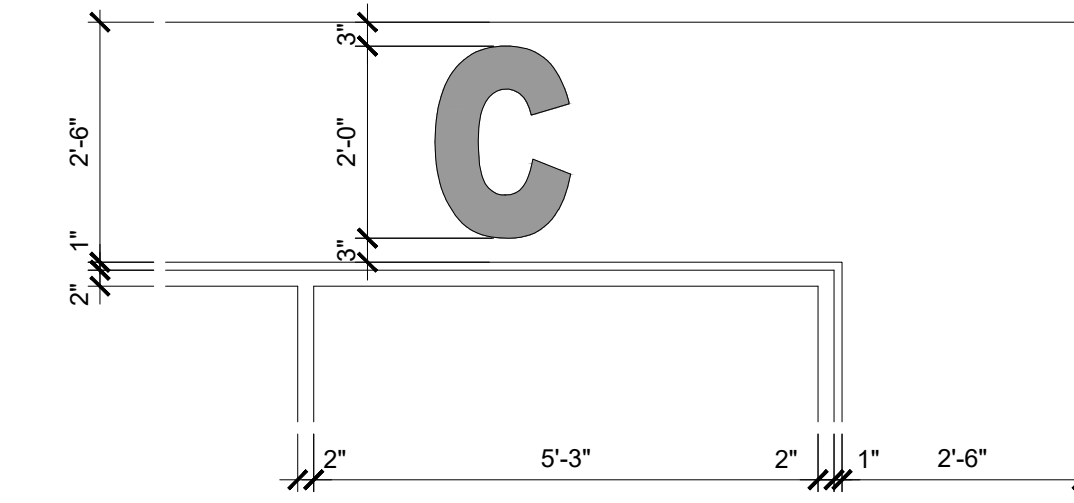
**HOLLAND ES PARTIAL FLOOR PLAN**

Drawn By:	AEV	Checked By:	DST
Date:	02/06/25	Project No.:	99734
		Scale:	AS SHOWN

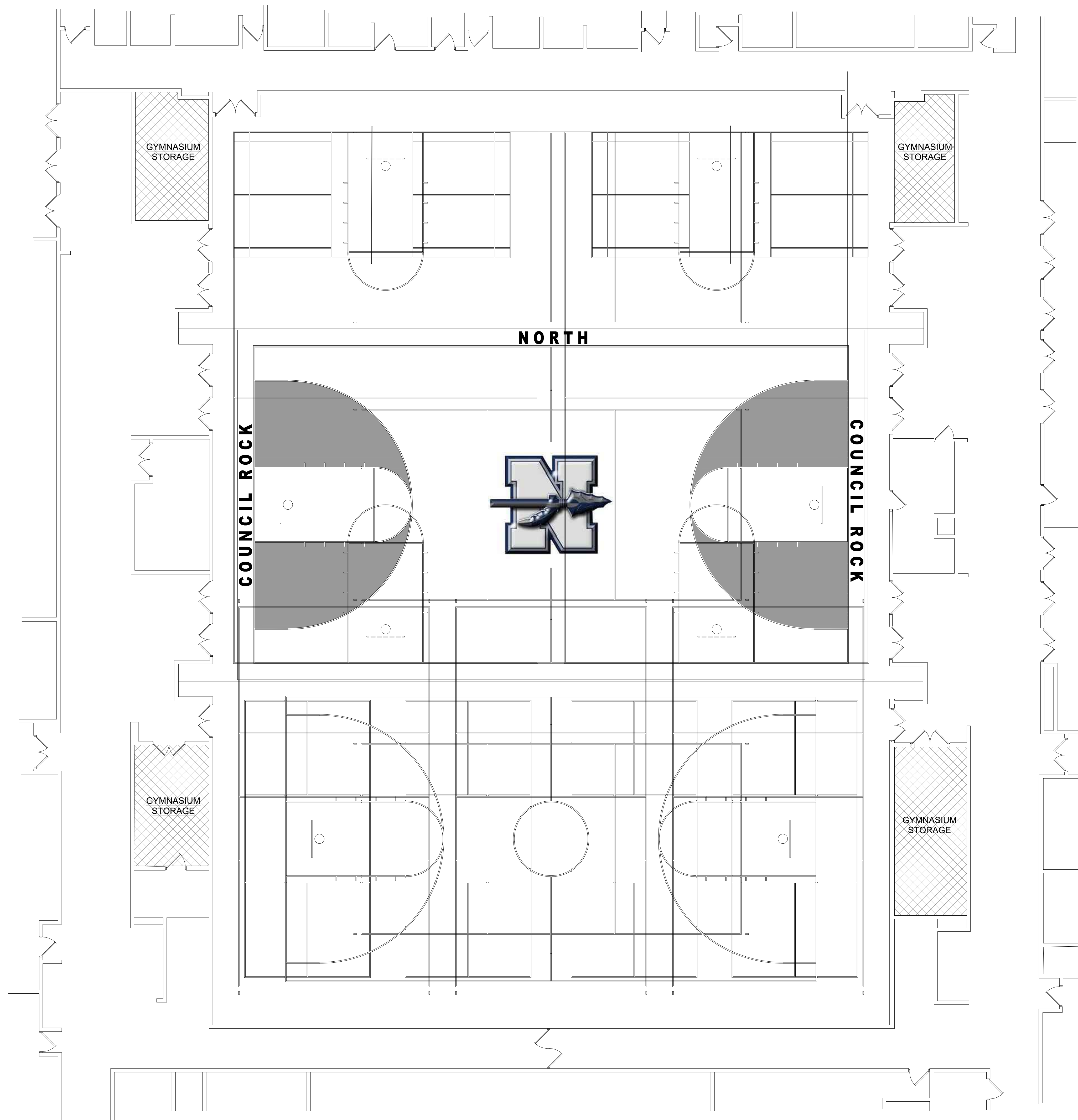
Drawing No.: **G-1**

**GYMNASIUM FLOOR PLAN**  
SCALE: 1/4" = 1'-0"

V:\Projects\BPA\1217\12171006-299 - School\383 - Council Rock SD\38714 - CSD\152 North & Holland MS Gym Floor Replacement Feb 21, 2025 - 4:13pm



**ENLARGED MAIN COURT BORDER**  
 SCALE: 1/2" = 1'-0"



**GENERAL NOTES:**

1. NEW 1 1/2" WOOD SPORTS FLOOR TO BE INSTALLED ON EXISTING RECESSED FLOOR.
2. LINE AND GRAPHIC COLORS TO BE SELECTED BY OWNER AND PROJECT ENGINEER. CONTRACTOR TO PLAN ON NO MORE THAN TEN (10) COLORS.
3. CONTRACTOR TO FIELD VERIFY EXISTING CONDITIONS AND DIMENSIONS OF EXISTING BACKBOARD AND BASKETBALL RIM LOCATIONS PRIOR TO FINAL INSTALLATION OF GRAPHICS AND COURT LINES. PROJECT ENGINEER IS TO BE IMMEDIATELY NOTIFIED OF ANY DISCREPANCIES TO DRAWINGS AND DIMENSIONS.
4. FOUR GYMNASIUM STORAGE ROOMS TO RECEIVE NEW FLOORING - ROOMS DESIGNATED WITH THIS HATCH

**GYMNASIUM COURT INFORMATION:**

- (1) MAIN BASKETBALL COURT - 50'-0" x 94'-0"
- (1) MAIN VOLLEYBALL COURT
- (1) SIDE BASKETBALL COURT - 45'-0" x 84'-0"
- (2) CROSS COURT BASKETBALL COURTS
- (2) BADMINTON COURTS
- (2) SIDE VOLLEYBALL COURTS
- (3) CROSS VOLLEYBALL COURTS
- (4) PICKLEBALL COURTS

AN ANCHOR WILL NEED TO BE INSTALLED ALONG THE WEST WALL NEAR THE SOUTH END OF THE GYMNASIUM FOR INSTALLING THE VOLLEYBALL NETS. INFORMATION TO BE PROVIDED BY PROJECT ENGINEER AND OWNER.

GRAPHICS AND LINE COLORS TO BE PROVIDED BY PROJECT ENGINEER AND OWNER. THERE WILL BE A MAXIMUM OF TEN (10) COLORS FOR LINES.

GRAPHICS AND COURT LINES TO BE LOCATED AND ALIGNED WITH EXISTING BASKETBALL BACKBOARDS AND RIMS.

**NOT FOR CONSTRUCTION**

IF A MODIFICATION TO ANY PART OF THIS DRAWING IS MADE, THE USER SHALL BE RESPONSIBLE FOR VERIFYING THE ACCURACY OF ALL DIMENSIONS AND LOCATIONS. THE USER SHALL BE RESPONSIBLE FOR VERIFYING THE ACCURACY OF ALL DIMENSIONS AND LOCATIONS. THE USER SHALL BE RESPONSIBLE FOR VERIFYING THE ACCURACY OF ALL DIMENSIONS AND LOCATIONS.

**COUNCIL ROCK SCHOOL DISTRICT**  
**WOOD GYMNASIUM FLOOR REPLACEMENT AT COUNCIL ROCK HIGH SCHOOL NORTH AND HOLLAND MIDDLE SCHOOL**

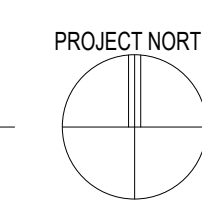
Submittal / Revision #2	Appr	By	Date
			02/21/25

**HIGH SCHOOL NORTH PARTIAL FLOOR PLAN**

Date:	Project No.:	Scale:
02/06/25	99734	AS SHOWN

Drawing No.:  
**G-2**

**GYMNASIUM FLOOR PLAN**  
 SCALE: 1/8" = 1'-0"



V:\Projects\2025\1006-299 - School\323 - Council Rock - Council Rock - Gym Floor Replacement Feb. 21, 2025 - 4.dwg



